

iSC GmbH
Customer Service
Eschenstraße 6
94405 Landau/Isar

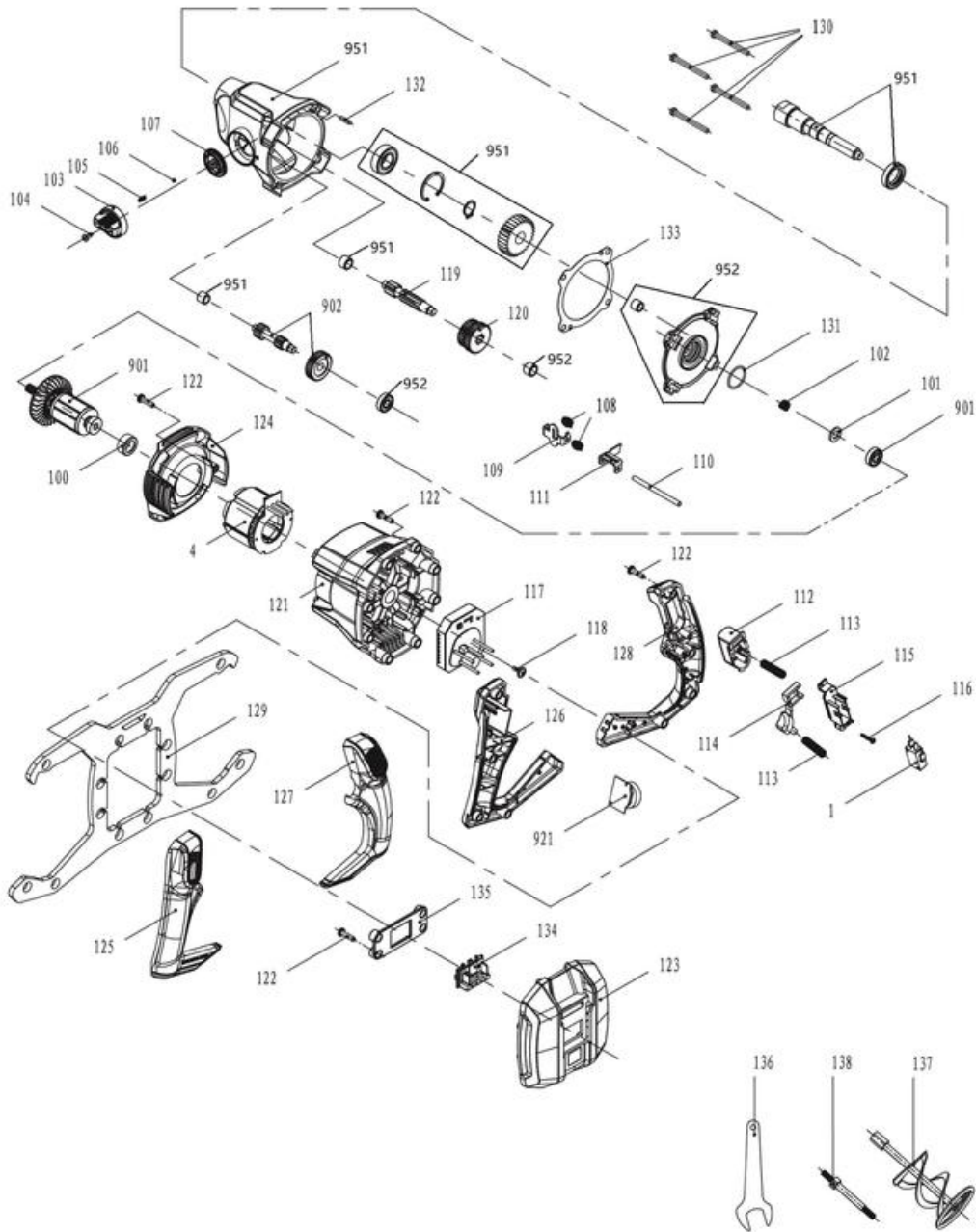
Telephone:
Email:

+49 9951 959 2019
service-de@einhell.com



Cordless Paint/Mortar Mixer
TP-MX 18-2 Li BL - Solo

Article number: 4258770
Ident number: 21012



Spare parts

Pos	Art.	Ident number	Product Name
001	425877001001	00000	micro switch
004	425877001004	00000	stator
099	425877001099	00000	color box
100	425877001100	00000	ball bearing vibration damper
101	425877001101	00000	felt ring
102	425877001102	00000	spring
103	425877001103	00000	adjusting knob
104	425877001104	00000	screw ST3 x 10
105	425877001105	00000	spring
106	425877001106	00000	ball
107	425877001107	00000	turn plate
108	425877001108	00000	spring
109	425877001109	00000	sliding plate
110	425877001110	00000	axis bolt
111	425877001111	00000	shift fork
112	425877001112	00000	switch operating lever
113	425877001113	00000	spring
114	425877001114	00000	start up lock
115	425877001115	00000	switch bracket
116	425877001116	00000	screw ST4 x 14
117	425877001117	00000	molded PCB
118	425877001118	00000	screw ST4 x 12
119	425877001119	00000	drive shaft
120	425877001120	00000	double pinion
121	425877001121	00000	motor housing
122	425877001122	00000	screw ST4 x 16
123	425877001123	00000	motor cover
124	425877001124	00000	air deflector
125	425877001125	00000	handle shell upper left
126	425877001126	00000	handle shell lower
127	425877001127	00000	handle shell upper
128	425877001128	00000	handle shell lower
129	425877001129	00000	handle holder
130	425877001130	00000	screw ST5 x 35
131	425877001131	00000	o-ring
132	425877001132	00000	fixing pin
133	425877001133	00000	paper gasket
134	425877001134	00000	contacts
135	425877001135	00000	support bracket
136	425877001136	00000	spanner
137	425877001137	00000	Agitator
138	425877001138	00000	Agitator rod
901	425877001901	00000	Rotor assembly
902	425877001902	00000	Gear / Transmission Assembly
921	425877001921	00000	Electronic Control Assembly
951	425877001951	00000	Gear housing assembly
952	425877001952	00000	Gear cover assembly